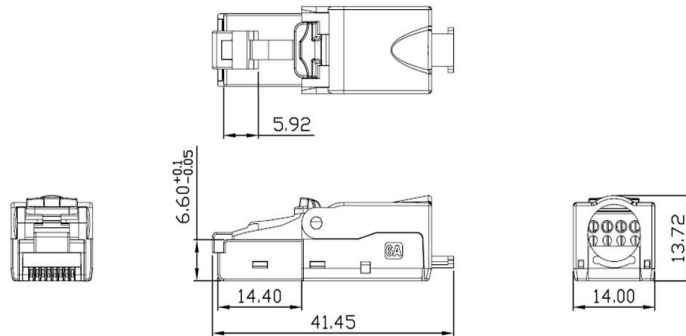


Field Termination Plug - Cat 6A - UTP

MODEL : IK-FTP-C6A



Features

- Transmission performance: Cat.6A /Class EA
- Wiring label: TIA 568A/B & PNO
- Termination capability:
 - 23~26 AWG solid wire
 - 23 ~27 AWG stranded wire
- Re-termination capability: 5 times
- Supporting cable diameter: 6~9mm
- UL Listed
- PoE+ compliant
- 4PPoE compliant

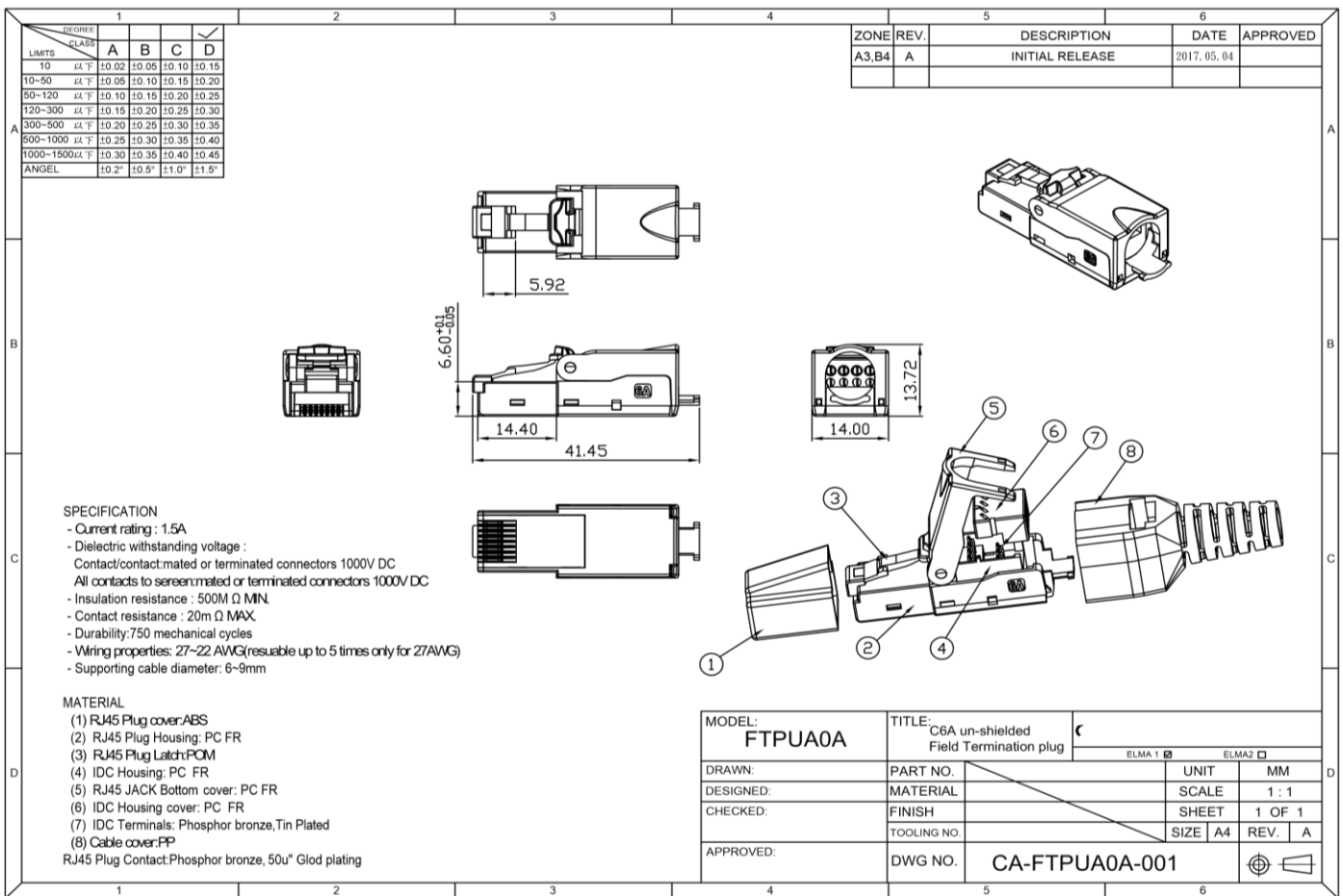
General

- Comply with IEC 60603-7-41
- Plug Housing: PC FR
- Plug Pins: Phosphor bronze with 50u" gold plating
- Durability: 750 mechanical cycles
- Current rating: 1.5A
- Dielectric withstanding voltage: 1000V DC Insulation resistance: 500M Ω MIN.
- Contact resistance: 20m Ω MAX

Field Termination Plug - Cat 6A - UTP

MODEL : IK-FTP-C6A

Technical Drawing





Field Termination Plug - Cat 6A - UTP

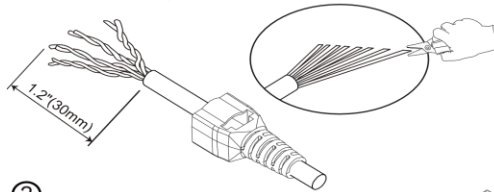
MODEL : IK-FTP-C6A

Instruction Manual

JACK PIN DESIGNATIONS	TIA / EIA T568A	TIA / EIA T568B	INDUSTRIAL
1	White/Green	White/Orange	Yellow
2	Green	Orange	Orange
3	White/Orange	White/Green	White
6	Orange	Green	Blue
4	Blue	Blue	
5	White/Blue	White/Blue	
7	White/Brown	White/Brown	
8	Brown	Brown	

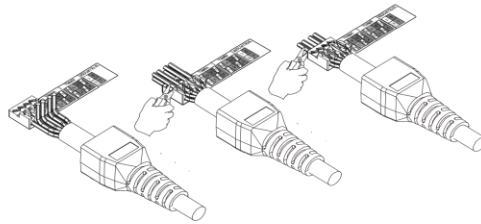
①

Insert cable into strain relief boot, strip off 1.2 inch of cable jacket.



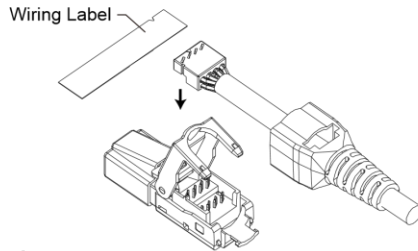
②

Fan out all four twisted pairs, following the color coding label and allocate each conductor into proper slot on wiring cap. Trim the ends of conductors.



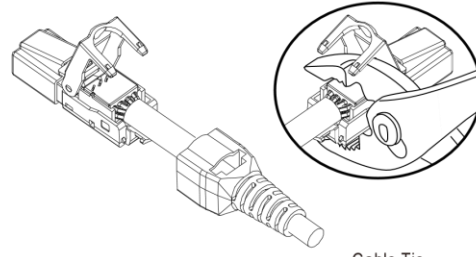
③

wiring cap on plug.



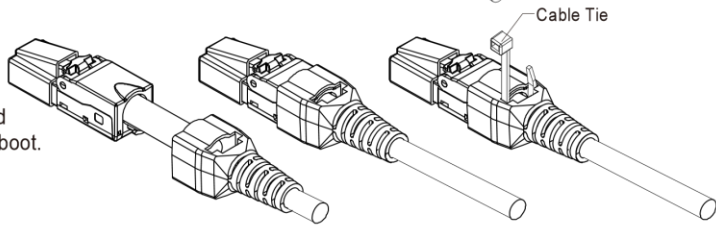
④

cap until it completely snap-in to effect the connection.



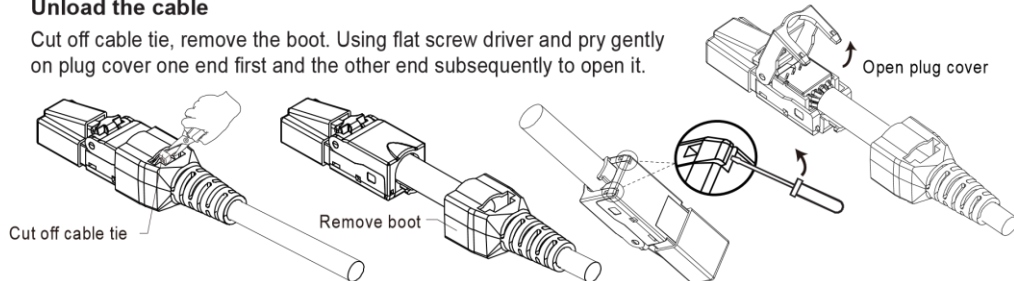
⑤

Close plug cover. Pull back strain relief boot to cover the plug, fasten supplied cable tie to secure cable with boot.



Unload the cable

Cut off cable tie, remove the boot. Using flat screw driver and pry gently on plug cover one end first and the other end subsequently to open it.



Boot adjustment

Cut the end of boot to fit your cable OD.

