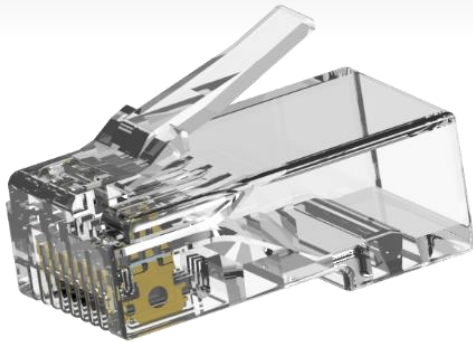
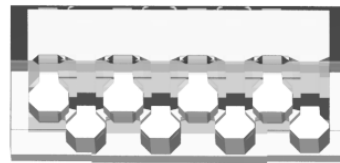


RJ 45, Unshielded Modular Plug 8P8C -Cat 6 50u" for stranded wire-2 Pieces

MODEL: IK-MP-U-050-C6-2



Wire Position 4 Up/
4 Down



Features

- Two Pieces Design: For easy and accurate assembly
- Wire Dimension: 1.1mm can fit insulation 0.98~1.05mm
- Terminal with 3 prongs contact blades: Fit both Stranded and Solid wire
- 23AWG~26AWG Gold Plating: 50 μ " with test report by X-RAY machine
- Crystal RJ45 connector compliance with FCC Standard

General

- Dielectric Poltage Withstand Test: Test 60S 1000V AC/ DC Test Pass I
- nsulation Resistance: 500 M Ω .
- Contact Resistance: 20m Ω . Max
- Operating & Storage Temperature Range: -20° ~ 75°C
- Durability Test: 1,200 times
- Tensile Test: \geq 20pound (9.1kg)

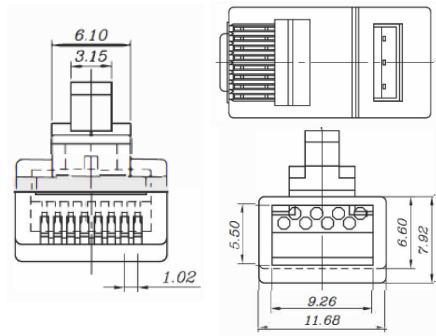
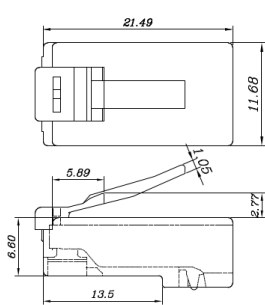
RJ 45, Unshielded Modular Plug 8P8C -Cat 6 50u" for stranded wire without insert

MODEL: IK-MP-U-050-C6-1

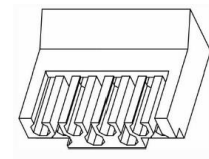
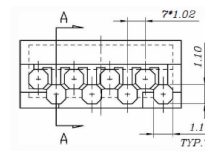
Material

- Polycarbonate 94V2
- Gold plating 50µ"

Technical Drawing



Insert



Unit of length: mm