

LC Fiber Optic Connectors



Description

Optical Connector is a reusable passive component which could be applied in fiber and Cable connection. They are widely used in ODF, ODN, PON etc. Considered by some to be the modern replacement of the SC connector; its introduction was less successful, in part due to initially high license fees from inventor Lucent Corporation. Also a push-pull connector, the LC utilizes a latch as opposed to the SC locking tab and with a smaller ferrule it is known as a small form factor connector. Having half the footprint of the SC connector gives it huge popularity in datacoms and other high-density patch applications, as its combination of small size and latch feature make it ideal for densely populated racks/panels. With the introduction of LC compatible transceivers and active networking components, its steady growth in the FTTH arena is likely to continue. The manufactures many sorts of fiber connectors. Such as SC, LC, ST, FC, MU, MTRJ, E2000, MPO, MTP, SMA, DIN, D4 etc.

Industrial Standard

LC: TIA/EIA, FOCIS10, GR-326 EIA/TIA-604-10, IEC61754-20 and JIS C5973

LC Fiber Optic Connectors

Optical Performance

Meets Telcordia GR-326-Core issue

IL (Typical): SM < 0.3dB; MM < 0.3dB

RL (Typical): SM > 50dB; MM > 35dB

Mechanical Performance

Connection Durability: 500 Matings cycles

Connector Repeatability: MM < 0.2dB ; SM < 0.1dB

Environmental Performance

Operating Environment: -40°C ~ + 80°C

Meets UL94-V0 Flammability Requirements

ROHS compliant

Application

Patch cord & pigtail produce & Manufacture

Products Details

Fiber Connector	LC	Ferrule Material	Zirconia Ceramic
Housing	SM: Blue MM: Beige/aqua/magenta APC: Green	Boot Size	0.9mm, 2.0mm, 3.0mm
Operating Temp. Range	-40~80°C	Boot color	SM: Blue/white/red/yellow MM: Beige/aqua/magenta/black APC: Green
Suit Cable	0.6-3.0mm OD cable	Available for	Not assembled Multi-Piece Pre-assembled one piece

LC Fiber Optic Connectors

Boot Type

Offer Straight boot and Angled boot.

For Straight boot, We offer boot length is from 12mm to 38mm.

For Angled boot, we offer 45degree boot, 90 degree boot, and 135 degree boot.

We offer flex angle LC 2.0/3.0mm boot.

We offer different color boot.

Connector Housing Type

We offer many different color Housing LC, Such as Blue, Beige, Aqua, Magenta, Black, Pink

Dust cap Type

We offer many different color and shape LC, Such as White, Transparent, green color.....



Standard cap

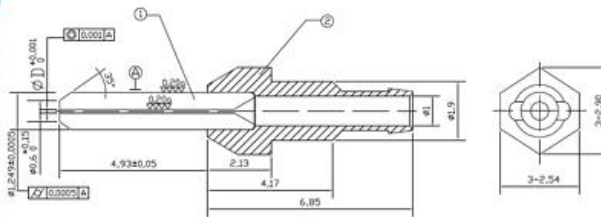


Full cover cap

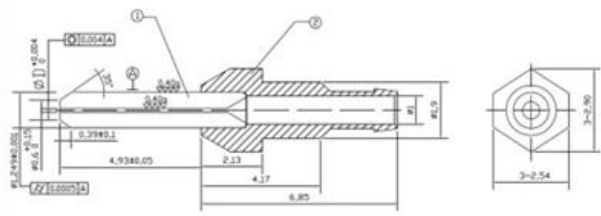


With tail type cap

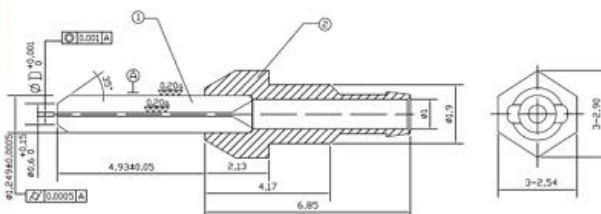
Ferrule for LC Connector



SM UPC Ferrule for LC SM UPC Connector
 Concentricity <math>< 1.0 \mu\text{m}</math> for standard quality demand
 Concentricity <math>< 0.3 \mu\text{m}</math> for IEC grade B demand



MM Ferrule for LC MM PC Connector
 Concentricity <math>< 4.0 \mu\text{m}</math> for standard quality demand
 Concentricity <math>< 1.4 \mu\text{m}</math> for IEC grade B demand

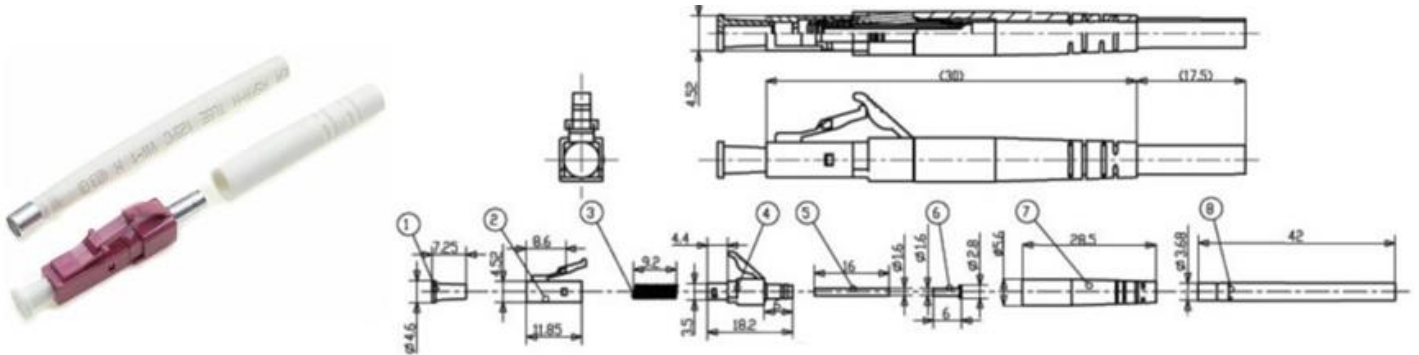


SM APC Ferrule for LC SM APC Connector
 Concentricity <math>< 1.0 \mu\text{m}</math> for standard quality demand
 Concentricity <math>< 0.3 \mu\text{m}</math> for IEC grade B demand

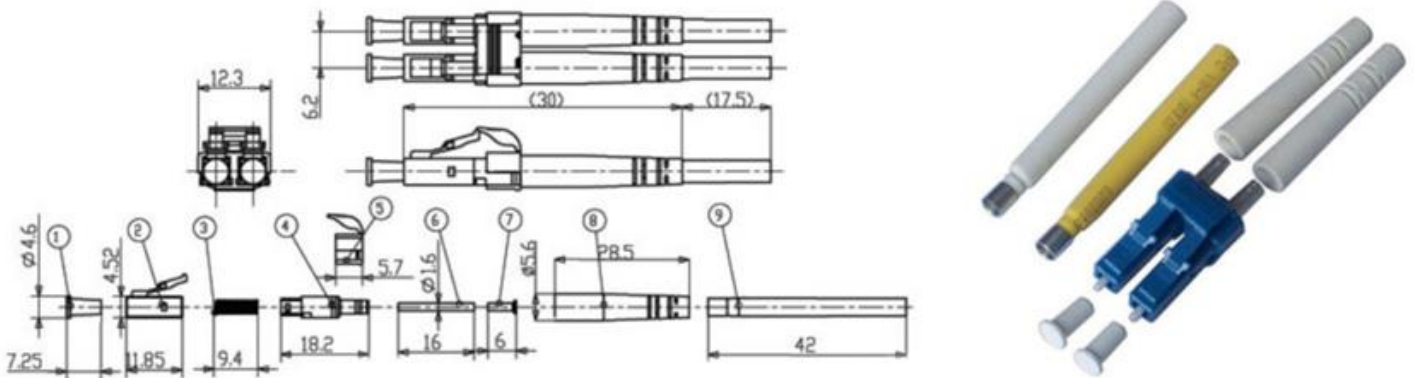
LC Fiber Optic Connectors



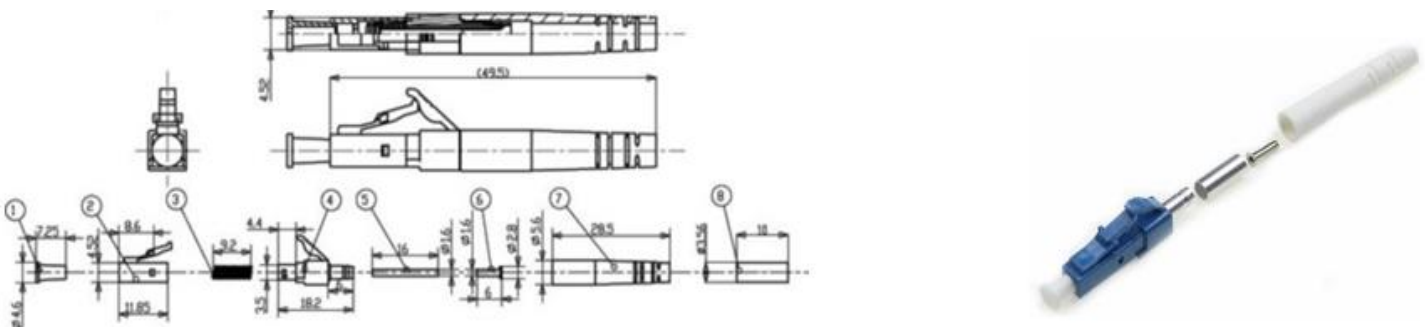
LC 2.0mm Boot Simplex Connector Drawing



LC 2.0mm Boot Duplex Connector Drawing



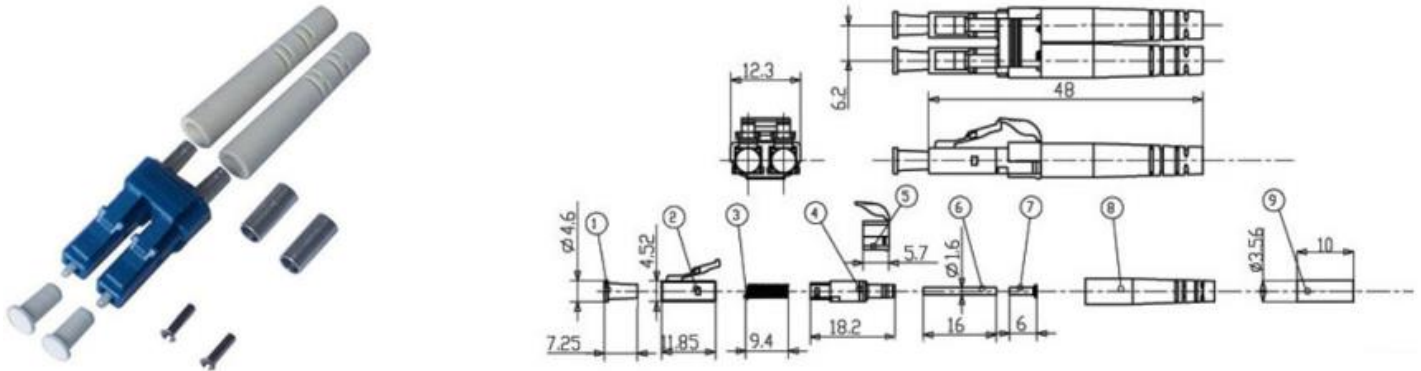
LC 3.0mm Boot Simplex Connector Drawing



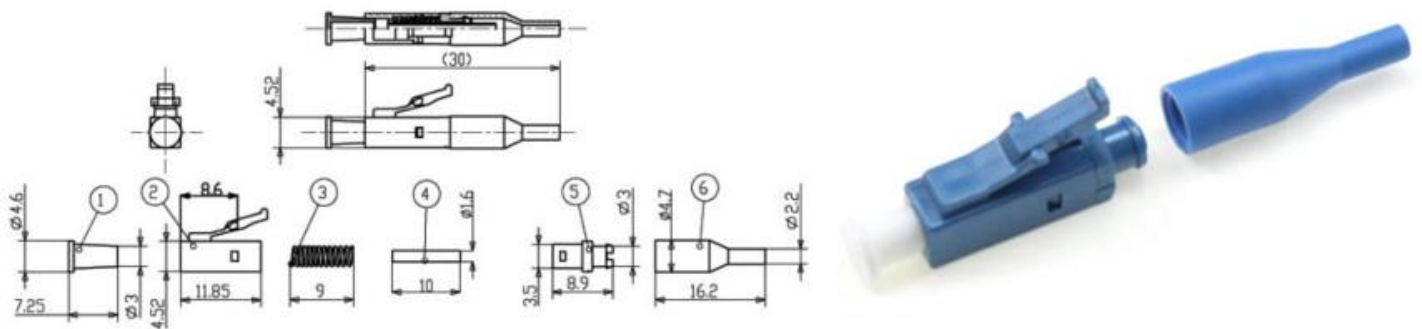
LC Fiber Optic Connectors



LC 3.0mm Boot Duplex Connector Drawing



LC 0.9mm Boot Connector Drawing



Order Information

Part No.	Description
IK-FOC-LC-SM-SX	Fiber Optic Connector - SM - LC -3.0mm Simplex - with crimp sleeves & boot
IK-FOC-LC-MM-M3-SX	Fiber Optic Connector - MM - OM3 - LC Simplex - with crimp sleeves & boot